

TECHNICAL MANUAL CH101M255



1. Remove Canvas Components, Axle Bag, and Handle from Carry Bag.



2. Remove components from Axle Bag: Axle, Kickstand 2 Rue Pins, and 2 Release Pins. Place in front of unit as shown.

3. Raise Stanchions from horizontal to vertical. Slide Axle through Stanchions while turning axle slowly. Secure Stanchions at grooves located at end of Axle by tightening Stanchion Clamps. (Note: DO NOT FORCE)



4. Place Wheels on Axle and secure with Rue Pins, making sure Rue Pins face upward as shown. To install Rue Pins push into hole at end of Axle and they will snap secure. To remove Rue Pins lift end of which has slight bend and pull. To secure Rue Pins in place activate optional manual lock.



5. Holding Axle, pull both front and rear frames until they stop. This will align for the insertion of Release Pins.



6. Insert Release Pins as shown.



7. Place unit onto its wheels and insert handle (Note: You must remove stainless steel studs from female receivers before inserting Handle). Replace stainless steel studs and secure



8. Place Kickstand into female receiver located at bottom of handle. (Note: Remove Kickstand once unit is loaded and store in horizontal storage hole located in female receiver prior to moving forward).



9. Insert Hard Polymer Bottom into unit.



10. Attach Cargo Bag by taking straps at the front of the bag, pass over the top of the Handle, down under the Handle and snap secure.



11. Take straps at rear of Cargo Bag and pass behind Knobs which secure Handle to unit. Pass over the top and snap secure.



12. Attach Head Cushion to Handle by passing Velcro Straps around Handle Struts and secure.

Note: Exposure to saltwater requires rinsing with freshwater as soon as possible to assure product life. If unit is subjected to saltwater on a regular basis it is recommended that wheel bearings be sprayed with lubricant



13. Unit is now configured as a Cargo Hauler.



14. To configure as a Stretcher merely lift stretcher canvas from under Hard Polymer Bottom and fasten zippers.



15. It is recommended that zippers be started, beginning with the right front, then progress to left front.



16. Fasten the rear zipper completely and then return to both front zippers and completely close them.



17. Unit is now configured as a Stretcher.



18. If straps are required to secure load, insert them through slots located at either end of the rails as shown.

PRODUCT SPECIFICATIONS

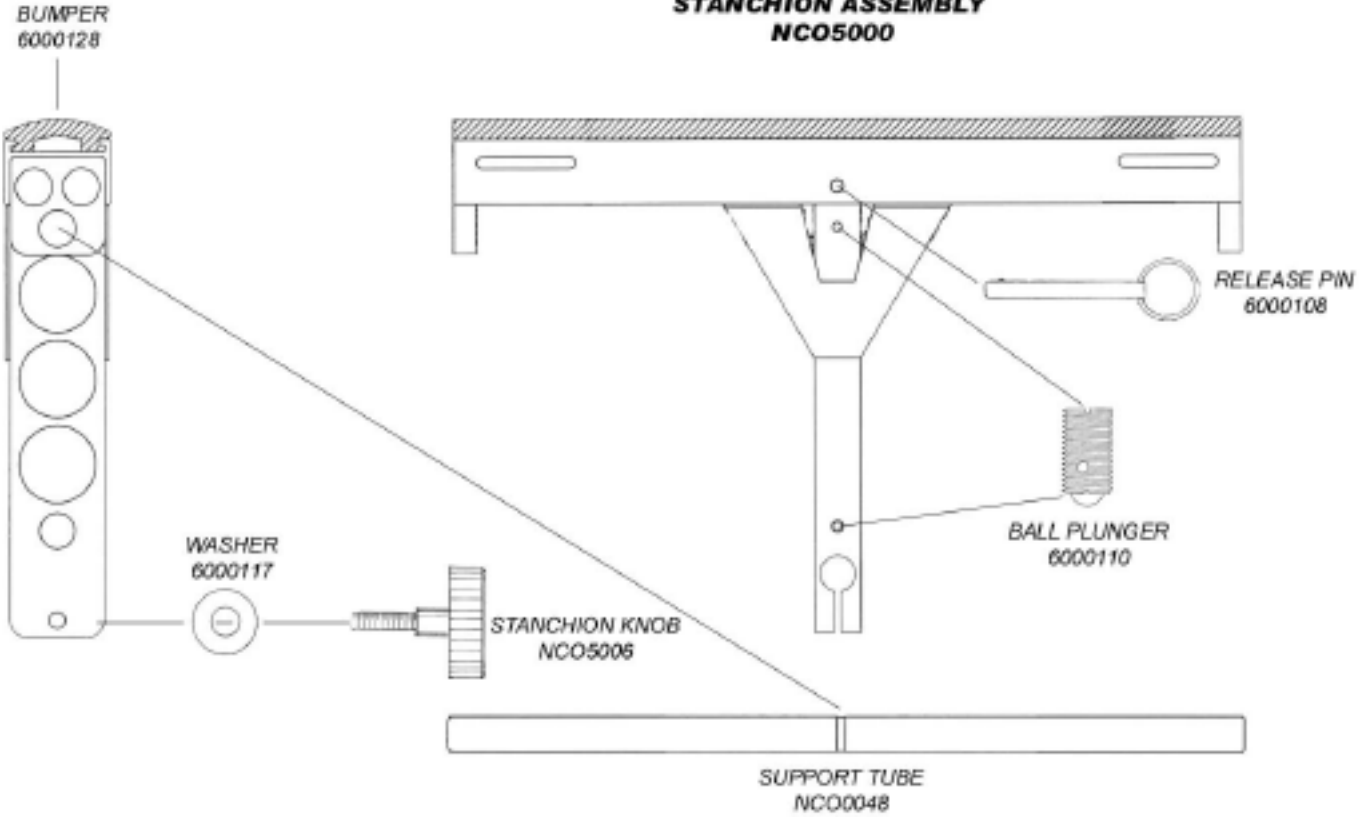
Model :	CH101M255	Finish :	Black Anodized		
Weight :	44 Pounds	Fabric :	18.oz Shelter Rite		
Capacity :	350 Pounds	Components :	Stainless Steel		
Frame :	6061-T6 Aluminum	Height	Width	Length	
Chassis :	6061-T6 Aluminum	Collapsed Bagged :	5"	27"	40"
Wheels :	Fiberglass Reinforced Nylon	Assembled / Overall :	18"	31"	77"
Tires :	16" X 2" Micro-cellular Urethane	Wagon :	8"	22"	56"
Bearings :	Sealed 440 Stainless Steel	Stretcher :	21"	22"	70"

PARTS LIST

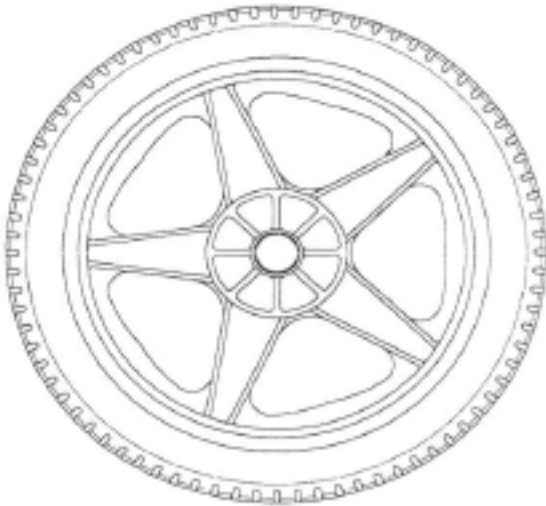
PART #	QTY	DESCRIPTION	MATERIAL
NCO5021	2	STANCHION ASSEMBLY	6061-T6 ALUMINUM
6000110	4	BALL PLUNGER	STAINLESS STEEL
6000108	2	RELEASE PIN	STAINLESS STEEL
6000118	2	WASHER	STAINLESS STEEL
NCO5006	2	STANCHION KNOB	POLYMER
6000128	2	BUMPER	PVC
NCO1060	2	SUPPORT TUBE	6061-T6 ALUMINUM
NCO5023	1	FRONT FRAME ASSEMBLY	6061-T6 ALUMINUM
6000107	2	SNAP BUTTON	STAINLESS STEEL
6000117	2	WASHER	STAINLESS STEEL
NCO5007	2	HANDLE KNOB	POLYMER
NCO5024	1	REAR FRAME ASSEMBLY	6061-T6 ALUMINUM
6000107	2	SNAP BUTTON	STAINLESS STEEL
NCO5004	1	HANDLE ASSEMBLY *	6061-T6 ALUMINUM
6000110	1	BALL PLUNGER	STAINLESS STEEL
NCO0014	2	BUSHING	PVC
6000126	2	FOAM GRIP	CLOSED CELL FOAM
NCO5005	1	KICKSTAND ASSEMBLY	6061-T6 ALUMINUM
6000106	1	SNAP BUTTON	STAINLESS STEEL
6000104	1	FOOT	RUBBER
NC05026	1	AXLE ASSEMBLY	6061-T6 ALUMINUM
6000109	2	RUE PIN	STAINLESS STEEL
NCO5025	2	WHEEL ASSEMBLY	NYLON/FIBERGLASS
6000133	4	BEARING	STAINLESS STEEL
6000134	2	TIRE	URETHANE
6000130	2	STRAP	POLYPRO
CANVAS COMPONENTS			
2032811	1	BAG-AXLE	18 .oz SHELTER RITE
2029810	1	BAG-CARRY	1000 DENIER NYLON
2005850	1	BAG-HANDLE	18 .oz SHELTER RITE
2031820	1	WAGON/STRETCHER	18 .oz SHELTER RITE
2011840	1	COVER-CARGO	18 .oz SHELTER RITE
2006860	1	HEAD CUSHION	18 .oz SHELTER RITE
6000137	1	HARD BOTTOM-WAGON	POLYMER
6000136	1	HARD BOTTOM-HANDLE BAG	POLYMER

PARTS IDENTIFICATION

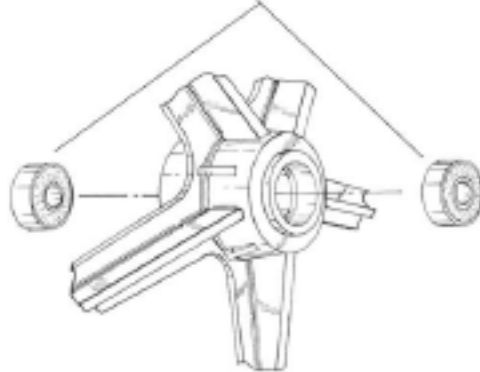
STANCHION ASSEMBLY NC05000



WHEEL ASSEMBLY NC05005



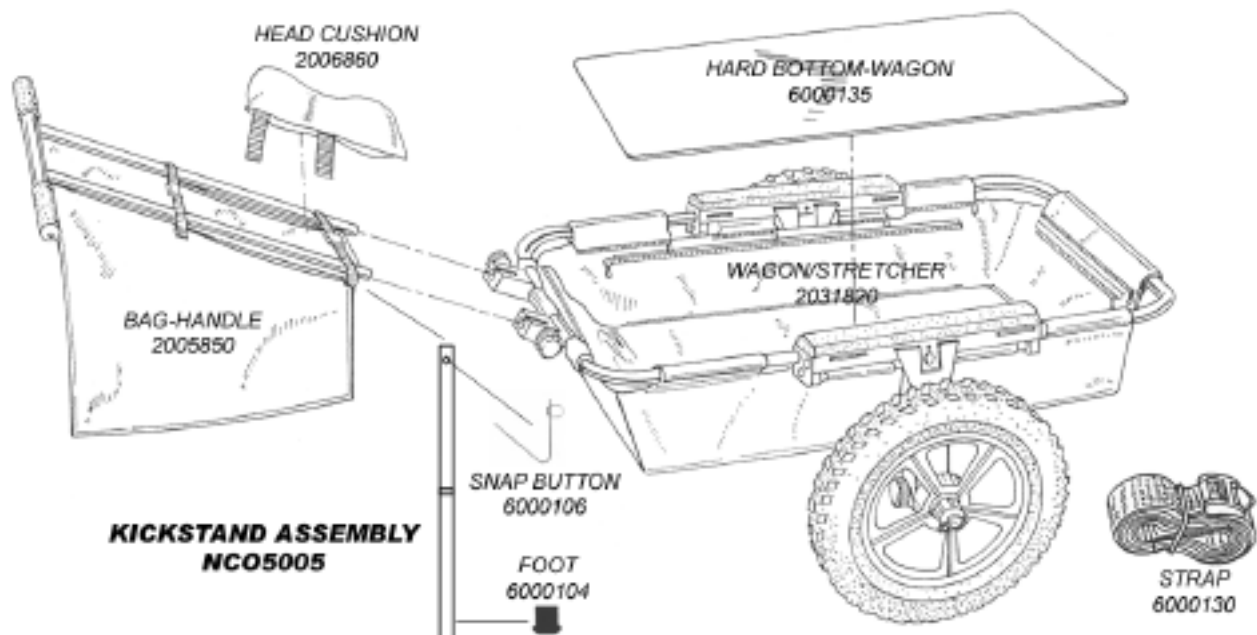
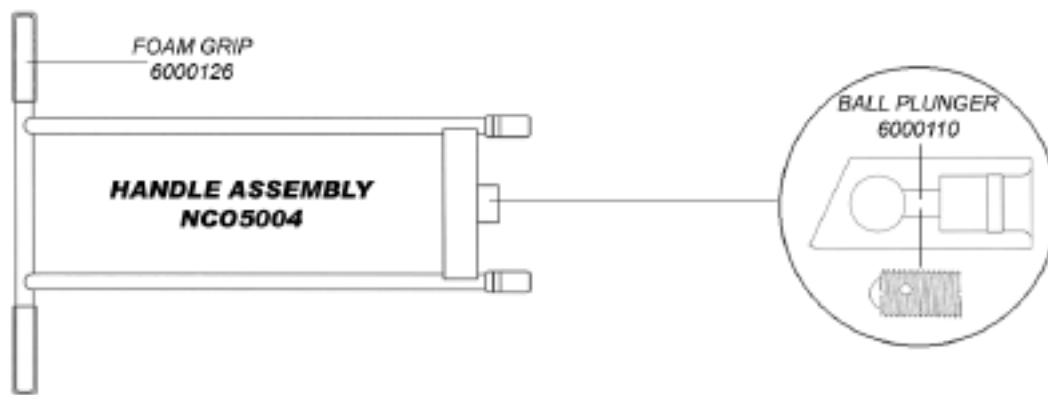
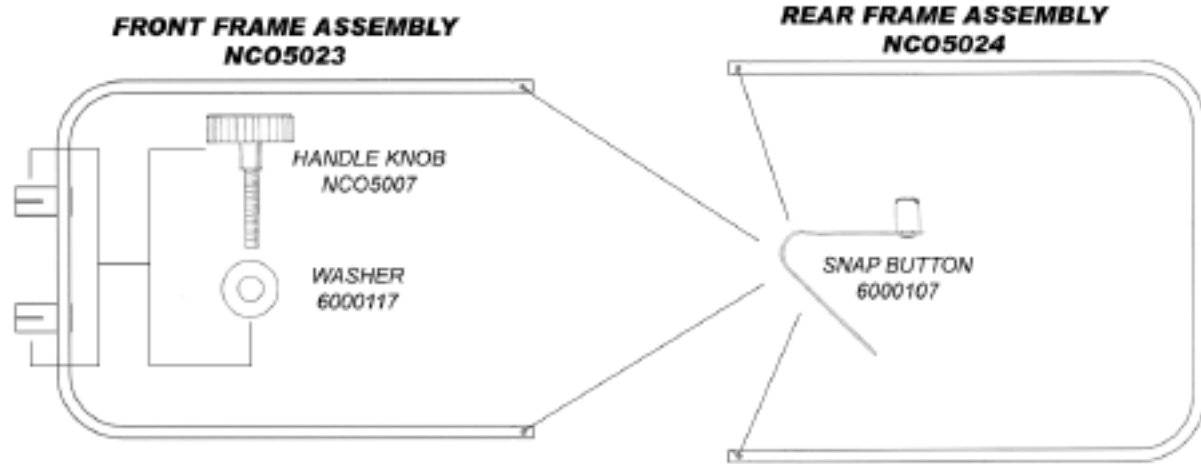
BEARING 6000133



AXLE ASSEMBLY NC05026



PATENTS 6,142,491 6,164,671, 6,270,092



NOTE: THE FOLLOWING COMPONENTS HAVE NOT BEEN ILLUSTRATED: BAG-AXLE 2002811, BAG-CARRY 2029810, COVER-CARGO 2011842, AND HARD BOTTOM-HANDLE BAG 6000136.

PATENTS 6,142,491 6,164,671, 6,270,092

LIMITED WARRANTY

Charlie's Horse, a product of North Coast Outfitters Ltd., warrants each new Charlie's Horse according to the following terms.

This warranty extends for the lifetime of Charlie's Horse as long as the original retail purchaser owns it. This warranty extends to the original retail purchaser only and commences on the date of original retail purchase. Accordingly, this warranty is not transferable to any subsequent purchasers.

Any part of Charlie's Horse manufactured or supplied by North Coast Outfitters Ltd. and found in the reasonable judgment of North Coast Outfitters Ltd. to be defective in material or workmanship will be repaired or replaced by North Coast without charge for parts or labor.

Charlie's Horse including any defective part must be returned to North Coast Outfitters Ltd. The owner will pay for the expense of returning Charlie's Horse to North Coast Outfitters, Ltd. and the expense of returning it back to the owner after repair or replacement. North Coast Outfitters Ltd. responsibility in respect to warranty claims is limited to making the required repairs or replacements within 60 days, and no claim of breach of warranty shall be cause for cancellation or rescission of the contract of sale of any Charlie's Horse.

Proof of purchase will be required by North Coast Outfitters Ltd. to substantiate any warranty claim. North Coast Outfitters Ltd must perform all warranty work.

If Charlie's Horse is used commercially for such purposes as rental or other income-producing activities, then this warranty is limited to one (1) year from the date of original retail purchase. Military use is considered commercial use.

This warranty does not cover any Charlie's Horse that has been subject to misuse, neglect, negligence, or accident, or that has been operated in any way contrary to the operating instructions. The warranty does not apply to any damage to Charlie's Horse that is the result of improper maintenance or to any parts that have not been assembled or installed as specified in assembly instructions. The warranty does not cover any Charlie's Horse that has been altered or modified so as to adversely affect the product's operation, performance or durability, or that has been altered or modified to change its intended use. In addition, the warranty does not extend to repairs made necessary by normal wear, or by the use of parts or accessories which are either incompatible with Charlie's Horse or adversely affects its operation, performance or durability.

North Coast Outfitter's Ltd. reserves the right to change or improve the design of any Charlie's Horse without assuming any obligation to modify any Charlie's Horse previously manufactured.

ALL IMPLIED WARRANTIES ARE LIMITED IN DURATION TO ONE (1) YEAR FROM DATE OF PURCHASE. ALL IMPLIED WARRANTIES, INCLUDING MERCHANTABILITY, AND FITNESS FOR A PARTICULAR PURPOSE, OR OTHERWISE, ARE DISCLAIMED IN THEIR ENTIRETY AFTER ONE YEAR. THERE ARE NO WARRANTIES, WHICH EXTEND BEYOND THE DESCRIPTION ON THE FACE HEREOF.

NORTH COAST OUTFITTERS LTD. OBLIGATION UNDER THIS WARRANTY IS STRICTLY AND EXCLUSIVELY LIMITED TO THE REPAIR OR REPLACEMENT OF DEFECTIVE PARTS AND NORTH COAST OUTFITTERS, LTD. DOES NOT ASSUME OR AUTHORIZE ANYONE TO ASSUME FOR THEM ANY OTHER OBLIGATION.

SOME STATES DO NOT ALLOW LIMITATIONS ON IMPLIED WARRANTIES, SO THE ABOVE LIMITATION MAY NOT APPLY TO YOU.

NORTH COAST OUTFITTERS LTD. ASSUMES NO RESPONSIBILITY FOR INCIDENTAL, CONSEQUENTIAL OR OTHER DAMAGES INCLUDING, BUT NOT LIMITED TO, EXPENSE OF RETURNING CHARLIE'S HORSE TO NORTH COAST OUTFITTERS, LTD. AND THE EXPENSE OF RETURNING IT BACK TO THE OWNER, TELEPHONE CHARGES, RENTAL OF A LIKE PRODUCT DURING THE TIME OF WARRANTY SERVICE IS BEING PERFORMED, TRAVEL, LOSS OR DAMAGE TO PERSONAL PROPERTY, LOSS OF REVENUE, LOSS OF USE OF CHARLIE'S HORSE, LOSS OF TIME OR INCONVENIENCE.

SOME STATES DO NOT ALLOW THE EXCLUSION OR LIMITATION OF INCIDENTAL OR CONSEQUENTIAL DAMAGES, SO THE ABOVE LIMITATION OR EXCLUSION MAY NOT APPLY TO YOU.

This warranty gives you specific legal rights and you may also have other rights, which vary from state to state.

NORTH COAST OUTFITTERS LTD.
P.O. Box 994
Hampton Bays, New York 11946