

# TECHNICAL MANUAL SR601RT/RT2

Rev. B



1. Carefully review the placement of component parts within the carry bag by removing the wheels.  
NOTE: Each component has its place within the carry bag.



2. Remove components from bag laying them out as illustrated. NOTE: Make sure you have placed the Stanchions correctly. This is accomplished by making sure the groove atop the Stanchions face inward.

3. Slide the stainless steel Axle through the 3/4" hole located at the bottom of the 7 hole Stanchion to the inner most groove located on the Axle. Secure Axle in place by tightening knob located at bottom of Stanchion. Repeat procedure for the opposite Stanchion.



4. Stanchion assembly has been assembled correctly with grooves atop Stanchion facing inward as illustrated above.



5. Slide 16" Kickstand into 3/4" hole located directly above Axle as illustrated. NOTE: There is a groove located at either end of the Kickstand, this will be engaged by a stainless steel ball plunger located within Stanchion.



6. Install Wheels and insert Rue pins to secure. To install Rue Pins push into hole at end of Axle and they will snap secure. To lock Rue Pins in place activate optional manual lock. To remove Rue Pins unlock and lift end of pin which has slight bend and pull.(NOTE: Rue Pins are stored in pouch.)



7. SR601RT is now assembled and positioned to receive stretcher. Place Stretcher into clamps atop Stanchions and secure. NOTE: Handles on clamps are ratchet type and can be set to any position by pushing down on the stainless steel button in the center of the handle. It is important to position wheels to balance the load being carried to reduce fatigue of personnel moving injured.



8. Begin assembly of Kickstand by sliding Kickstand collar onto 1/2 of Kickstand assembly until it engages stainless steel snap button as illustrated. Repeat this procedure with remaining half of Kickstand.



9. Kickstand assembly is now ready to be mounted to Stretcher. **NOTE:** Position of Kickstand collar should be set to the inner button position (smallest distance between clamps).



10. Slide Kickstand assembly onto end of Stretcher as illustrated securing Kickstand in place by tightening clamps. **NOTE: It is important to tighten Kickstand and Stretcher clamps securely prior to transportation of injured.**



11. Kickstand can be folded up and out of the way when it is necessary to travel over uneven terrain or long distances. This is achieved by loosening the Kickstand clamp until legs fold up and then retighten clamp. NOTE: It is not necessary to fold Kickstand to transport injured.



12. SR601RT can be outfitted with an additional Kickstand as illustrated above. When ordered this way this configuration is referred to as SR601RT2.

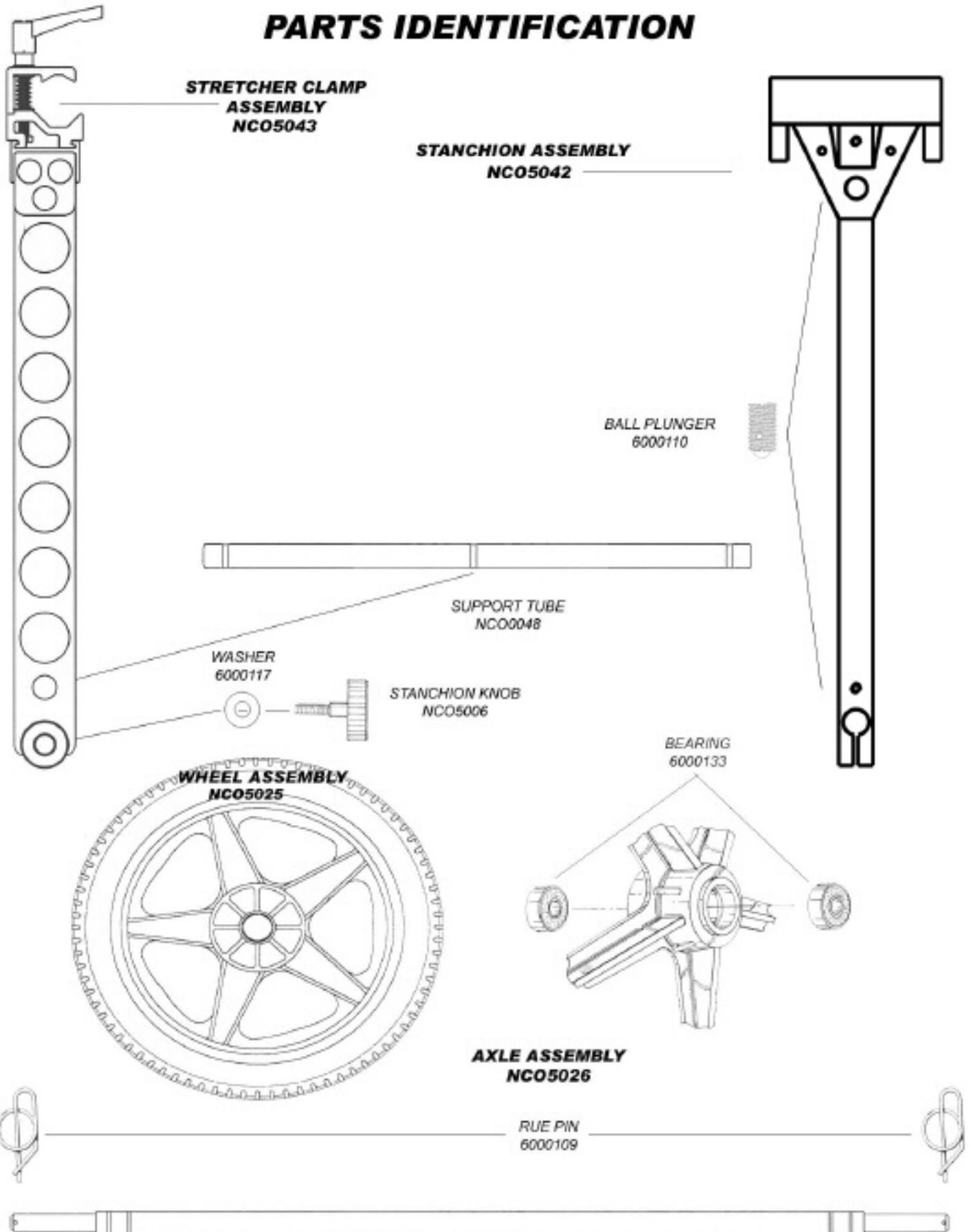
# PRODUCT SPECIFICATIONS

Model :	SR601RT/RT2	Fabric :	1000 Denier Nylon			
Weight :	26/32 lbs.	Components :	Stainless Steel			
Capacity :	300 lbs single axle					
Frame :	6061-T6 Aluminum					
Chassis :	6061-T6 Aluminum			Height	Width	Length
Wheels :	Fiberglass Reinforced Nylon	Collapsed Bagged :		5"	25"	40"
Tires :	16" X 2" Micro-cellular Urethane	Assembled / Overall :		27"	31"	16"
Bearings :	Sealed 440 Stainless Steel	Transport Depth:		N/A	N/A	N/A
Finish :	Black Anodized	Stretcher :		27"	22"	72"

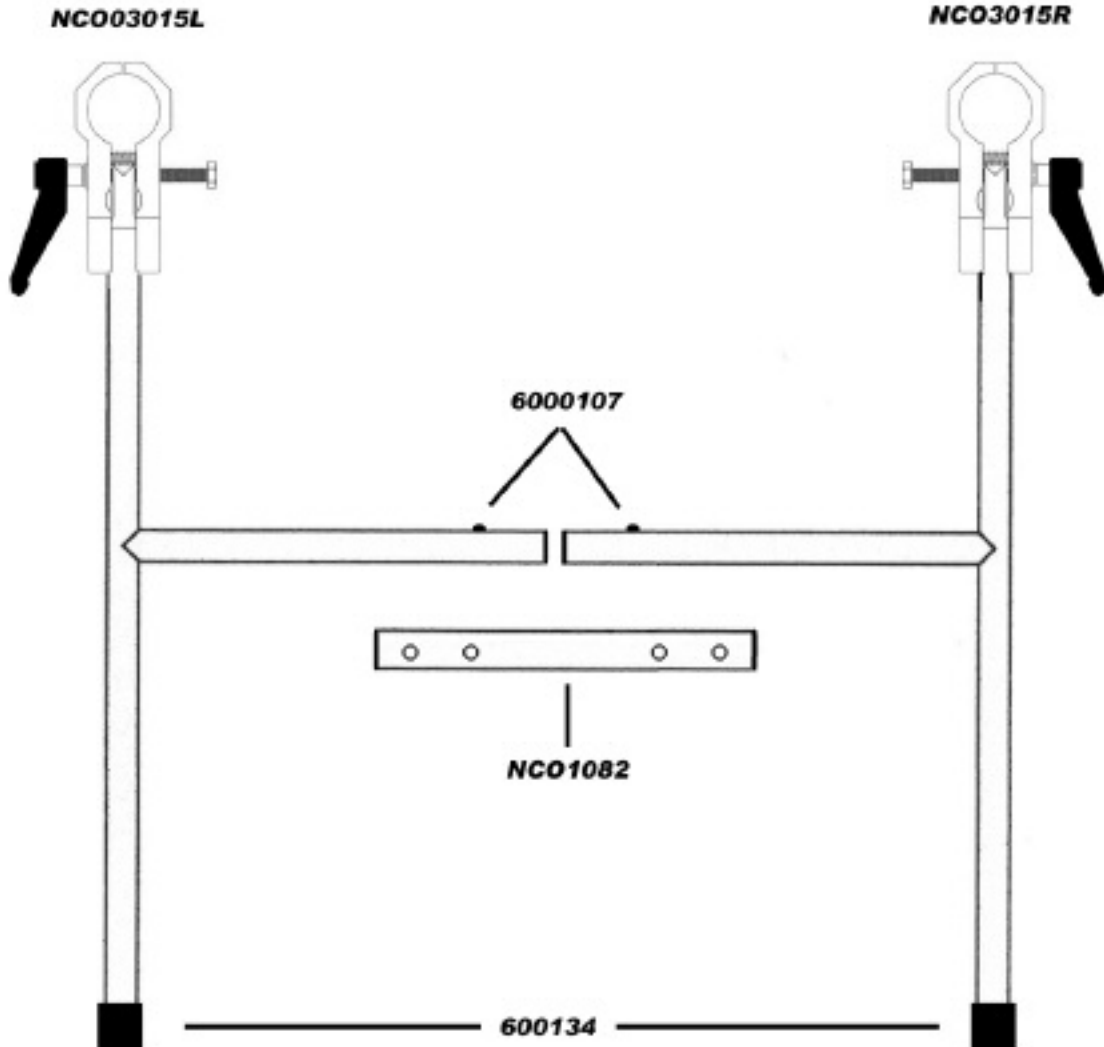
## PARTS LIST

PART #	QTY	DESCRIPTION	MATERIAL
NCO5042	2	<b>STANCHION ASSEMBLY</b>	6061-T6 ALUMINUM
6000110	4	BALL PLUNGER	STAINLESS STEEL
6000117	2	WASHER	STAINLESS STEEL
NCO5006	2	STANCHION KNOB	POLYMER
NCO0048	2	<b>SUPPORT TUBE</b>	6061-T6 ALUMINUM
NCO5043	2	<b>STRETCHER CLAMP ASSEMBLY</b>	6061-T6 ALUMINUM
6000111	4	CAP SCREW	STAINLESS STEEL
6000112	4	LOCK WASHER	STAINLESS STEEL
NCO5035	2	<b>KICKSTAND CLAMP ASSEMBLY</b>	6061-T6 ALUMINUM
NCO3015	1	KICKSTAND (R)	6061-T6 ALUMINUM
NCO3015	1	KICKSTAND (L)	6061-T6 ALUMINUM
NCO1082	1	CONNECTOR TUBE	6061-T6 ALUMINUM
6000107	2	SNAP BUTTON	STAINLESS STEEL
6000134	2	CRUTCH TIP	RUBBER
NCO5022	1	<b>AXLE ASSEMBLY</b>	
NCO5026	1	AXLE ASSEMBLY	6061-T6 ALUMINUM
6000109	2	RUE PIN	STAINLESS STEEL
NCO5025	2	<b>WHEEL ASSEMBLY</b>	NYLON
6000133	4	BEARING	STAINLESS STEEL
6000134	2	TIRE	URETHANE
		<b>CANVAS COMPONENTS</b>	
2052810	1	BAG-CARRY	1000 DENIER NYLON

# PARTS IDENTIFICATION



**KICKSTAND ASSEMBLY  
NCO5035**



# **LIMITED WARRANTY**

Charlie's Horse, a product of North Coast Outfitters Ltd., warrants each new Charlie's Horse according to the following terms.

This warranty extends for the lifetime of Charlie's Horse as long as the original retail purchaser owns it. This warranty extends to the original retail purchaser only and commences on the date of original retail purchase. Accordingly, this warranty is not transferable to any subsequent purchasers.

Any part of Charlie's Horse manufactured or supplied by North Coast Outfitters Ltd. and found in the reasonable judgment of North Coast Outfitters Ltd. to be defective in material or workmanship will be repaired or replaced by North Coast without charge for parts or labor.

Charlie's Horse including any defective part must be returned to North Coast Outfitters Ltd. The owner will pay for the expense of returning Charlie's Horse to North Coast Outfitters, Ltd. and the expense of returning it back to the owner after repair or replacement. North Coast Outfitters Ltd. responsibility in respect to warranty claims is limited to making the required repairs or replacements within 60 days, and no claim of breach of warranty shall be cause for cancellation or rescission of the contract of sale of any Charlie's Horse.

Proof of purchase will be required by North Coast Outfitters Ltd. to substantiate any warranty claim. North Coast Outfitters Ltd must perform all warranty work.

If Charlie's Horse is used commercially for such purposes as rental or other income-producing activities, then this warranty is limited to one (1) year from the date of original retail purchase. Military use is considered commercial use.

This warranty does not cover any Charlie's Horse that has been subject to misuse, neglect, negligence, or accident, or that has been operated in any way contrary to the operating instructions. The warranty does not apply to any damage to Charlie's Horse that is the result of improper maintenance or to any parts that have not been assembled or installed as specified in assembly instructions. The warranty does not cover any Charlie's Horse that has been altered or modified so as to adversely affect the product's operation, performance or durability, or that has been altered or modified to change its intended use. In addition, the warranty does not extend to repairs made necessary by normal wear, or by the use of parts or accessories which are either incompatible with Charlie's Horse or adversely affects its operation, performance or durability.

North Coast Outfitter's Ltd. reserves the right to change or improve the design of any Charlie's Horse without assuming any obligation to modify any Charlie's Horse previously manufactured.

ALL IMPLIED WARRANTIES ARE LIMITED IN DURATION TO ONE (1) YEAR FROM DATE OF PURCHASE. ALL IMPLIED WARRANTIES, INCLUDING MERCHANTABILITY, AND FITNESS FOR A PARTICULAR PURPOSE, OR OTHERWISE, ARE DISCLAIMED IN THEIR ENTIRETY AFTER ONE YEAR. THERE ARE NO WARRANTIES, WHICH EXTEND BEYOND THE DESCRIPTION ON THE FACE HEREOF.

NORTH COAST OUTFITTERS LTD. OBLIGATION UNDER THIS WARRANTY IS STRICTLY AND EXCLUSIVELY LIMITED TO THE REPAIR OR REPLACEMENT OF DEFECTIVE PARTS AND NORTH COAST OUTFITTERS, LTD. DOES NOT ASSUME OR AUTHORIZE ANYONE TO ASSUME FOR THEM ANY OTHER OBLIGATION.

SOME STATES DO NOT ALLOW LIMITATIONS ON IMPLIED WARRANTIES, SO THE ABOVE LIMITATION MAY NOT APPLY TO YOU.

NORTH COAST OUTFITTERS LTD. ASSUMES NO RESPONSIBILITY FOR INCIDENTAL, CONSEQUENTIAL OR OTHER DAMAGES INCLUDING, BUT NOT LIMITED TO, EXPENSE OF RETURNING CHARLIE'S HORSE TO NORTH COAST OUTFITTERS, LTD. AND THE EXPENSE OF RETURNING IT BACK TO THE OWNER, TELEPHONE CHARGES, RENTAL OF A LIKE PRODUCT DURING THE TIME OF WARRANTY SERVICE IS BEING PERFORMED, TRAVEL, LOSS OR DAMAGE TO PERSONAL PROPERTY, LOSS OF REVENUE, LOSS OF USE OF CHARLIE'S HORSE, LOSS OF TIME OR INCONVENIENCE.

SOME STATES DO NOT ALLOW THE EXCLUSION OR LIMITATION OF INCIDENTAL OR CONSEQUENTIAL DAMAGES, SO THE ABOVE LIMITATION OR EXCLUSION MAY NOT APPLY TO YOU.

This warranty gives you specific legal rights and you may also have other rights, which vary from state to state.

NORTH COAST OUTFITTERS LTD.  
P.O. Box 994  
Hampton Bays, New York 11946