

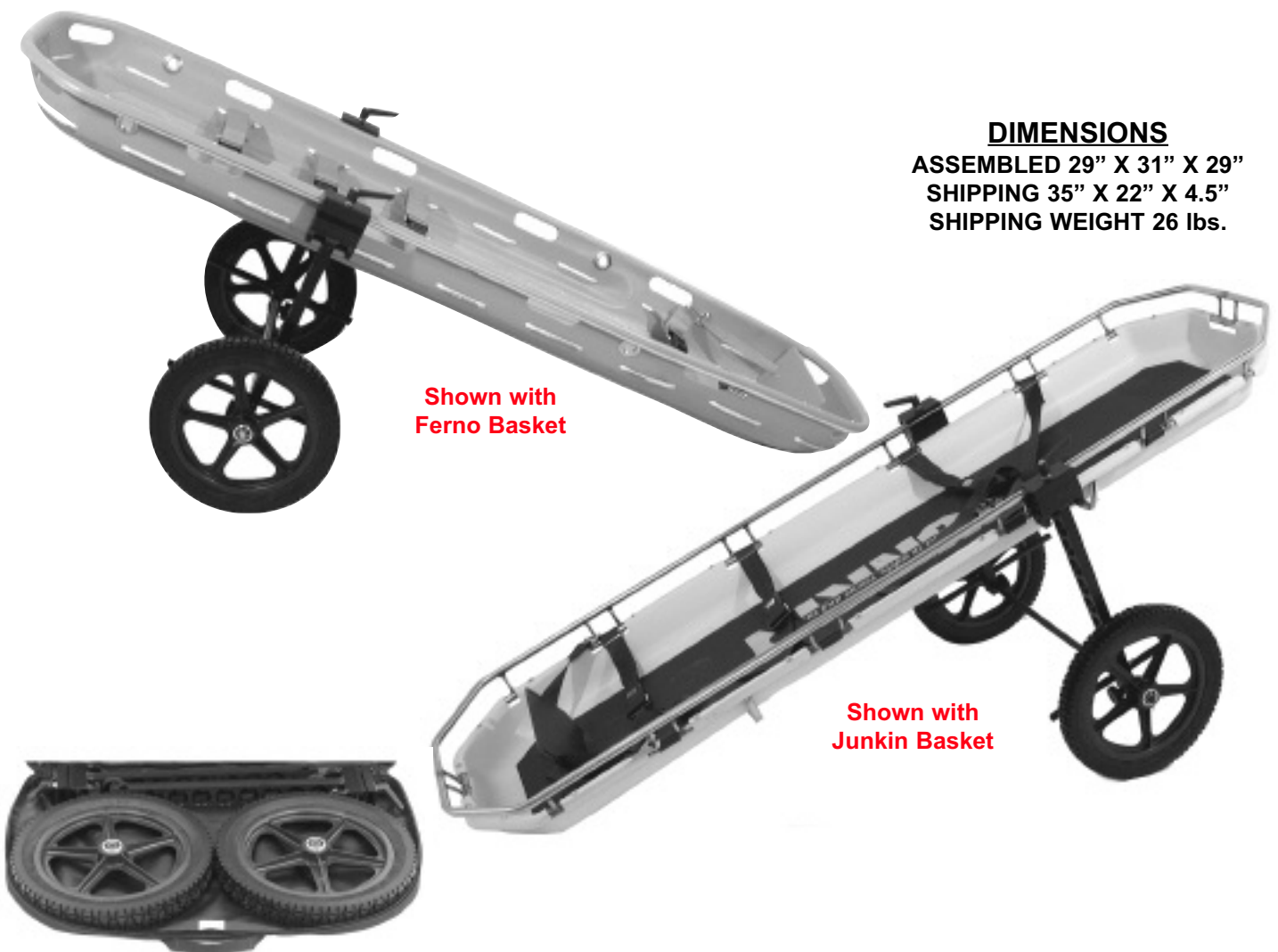


SR601F/J

NSN# 6530-01-529-4463

The SR601F/J was designed to meet the needs of Search & Rescue personnel who use the Stokes Basket in their rescue operations. The super compactness and light weight of the SR601F/J make this unit ideal for what it was designed for -- assist personnel when and where possible in the extraction of injured by allowing rescuers to wheel the Basket wherever possible and carry the Basket when they have to without increasing weight. Because of the integrated design of The Charlie's Horse® Deployment System the SR601F/J can be adapted to fit any Basket or Stretcher by simply replacing the clamps atop the stanchions. This allows the user to change and upgrade equipment as necessary without having to replace the wheel sets. . Unit weighs 21 lbs. with a weight capacity of 500 lbs. Basket dimensions depend upon the Basket selected. Please specify F (FERNO) or J (Junkin) when ordering.

DIMENSIONS
ASSEMBLED 29" X 31" X 29"
SHIPPING 35" X 22" X 4.5"
SHIPPING WEIGHT 26 lbs.



PATENTS 6,142,491 / 6,164,671 / 6,270,092 / 6,561,529 / 7,017,939 / 7,150,465 / 7,392,994